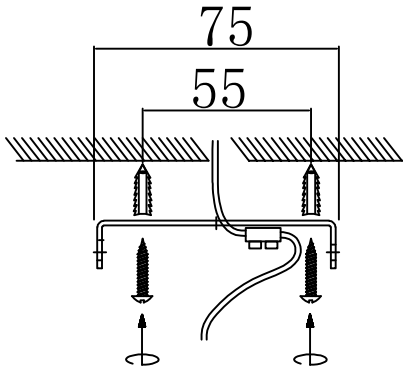
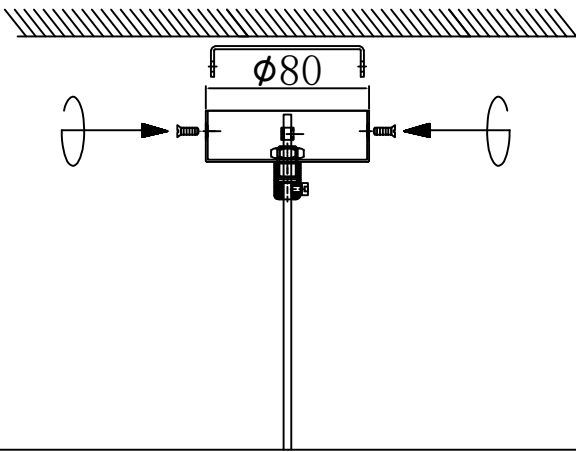


3821/S

①



②



③

