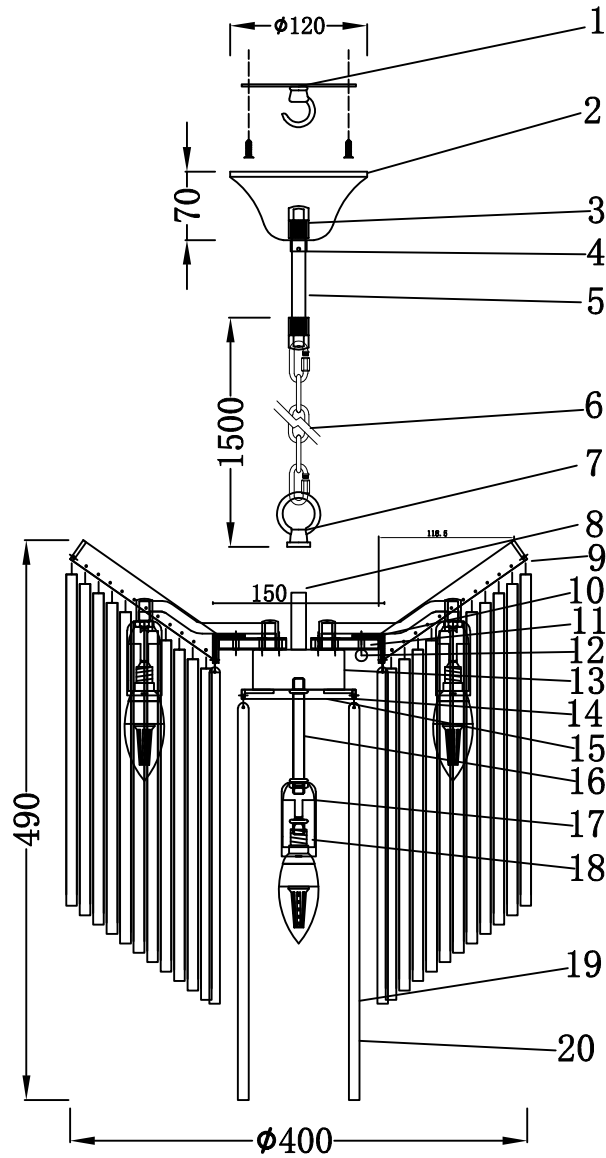
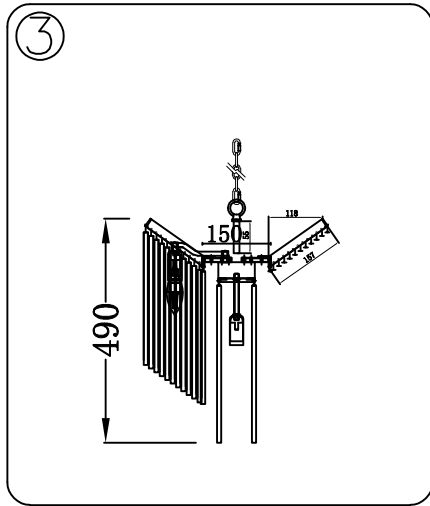
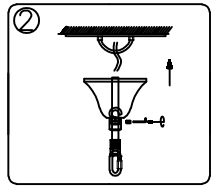
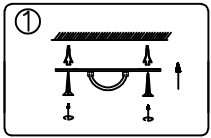


3224/C



- 1#: $\phi 90$ yuan open hanging board 1PCS
- 2#: $\phi 120 \times 70$ hanging clock 1PCS
- 3#: $\phi 18 \times 32 \times M12$ bucket lifting ring, side M4 2PCS
- 4#: 20×22 1PCS
- 5#: $\phi 11.5 \times 100$ straight pipe 1PCS
- 6#: $\phi 3.8 \times 1.5m$ suspension chain+2 movable buckles 1PCS
- 7#: $\phi 5 \times \phi 40 \times 48 \times M10$ lifting ring 1PCS
- 8#: $\phi 13 \times 55$ casing 1PCS
- 9#: $\phi 400 \times H105$ Three leaf Lantern Stand 1PCS
- 10#: $1.2 \times 10 \times 10 \times 80$ square pipes in square rows 3PCS
- 11#: $\phi 9.3 \times 124 \times 43$ bent pipe welded joint 3PCS
- 12#: 10 centimeter round ball M4 teeth 3PCS
- 13#: $\phi 2.0 \times \phi 80 \times H35 \times \phi 10.5$ Medium hole Lamp Ancient 1PCS
- 14#: 80×2.0 Car Edge Element 1PCS
- 15#: $8 \times 3.0 \times \phi 80$ flat iron ring 1PCS
- 16#: $\phi 9.3 \times 100$ Head Tube 1PCS
- 17#: E14 light body white lamp head 4PCS
- 18#: E14 * H62 lamp head cup 4PCS
- 19#: $\phi 9.5 \times 290$ clear glass rod 141PCS
- 20#: $\phi 9.5 \times 350$ clear glass rod 22PCS