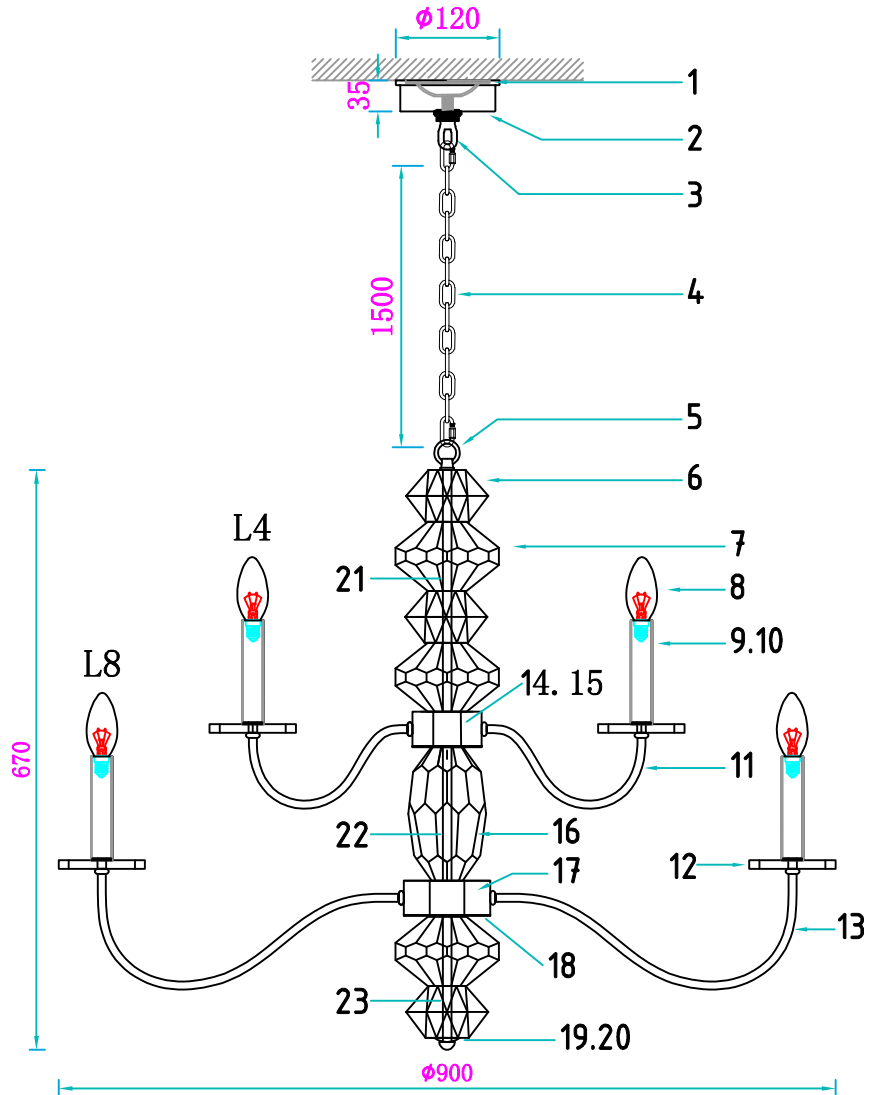
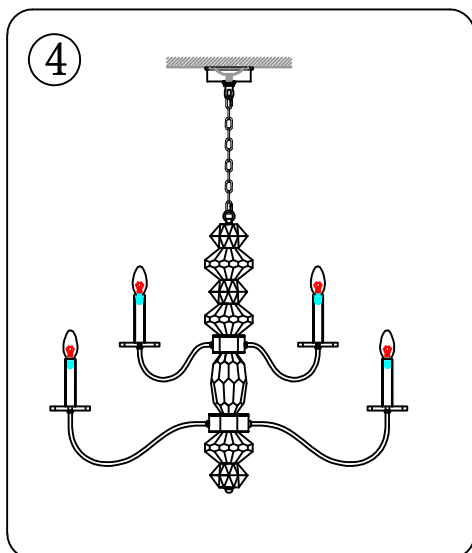
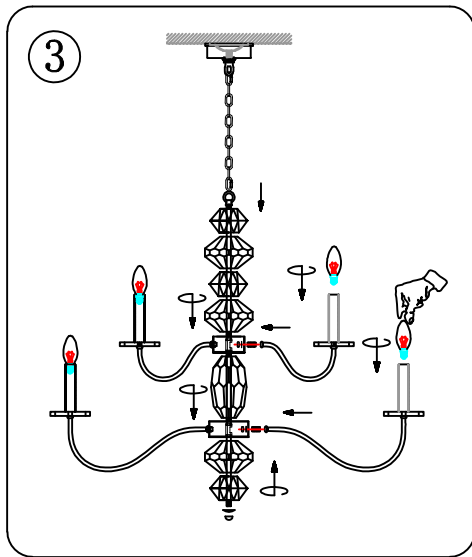
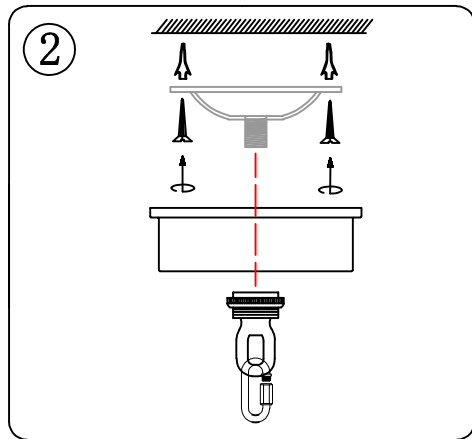
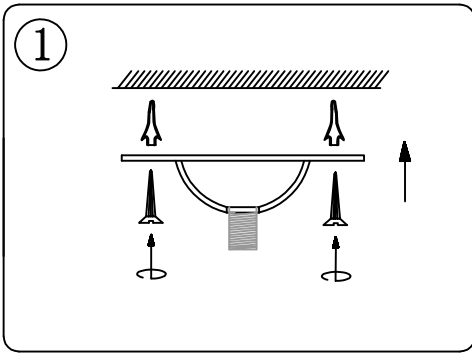


# 3878+4/C



- 1#:  $\phi 90$  yuan closed hanging board 1PCS
- 2#:  $\phi 120 \times 35$ mm American style ceiling plate 1PCS
- 3#: M25 American style single lock head 1PCS
- 4#:  $\phi 3.8$ mm\*1.5m suspension chain 1PCS
- 5#:  $\phi 5 \times \phi 40 \times 48$ mm copper lifting ring 1PCS
- 6#:  $\phi 95 \times H65$ mm multi-faceted crystal 3PCS
- 7#:  $\phi 120 \times H80$ mm multi-faceted crystal 3PCS
- 8#: E14 40W light source 12PCS
- 9#:  $\phi 25 \times 120 \times T0.9$  sealed copper tube 12PCS
- 10#: E14 bracket lamp head 12PCS
- 11#:  $\phi 9.3 \times L268$ mm copper bent pipe 4PCS
- 12#:  $L100 \times W100 \times H10$ mm octagonal crystal piece 12PCS
- 13#:  $\phi 9.3 \times L462$ mm copper bent pipe 8PCS
- 14#:  $L80 \times W80 \times H38$ mm octagonal copper square box 1PCS
- 15#:  $L80 \times W80 \times T2.0$ mm octagonal copper sheet 1PCS
- 16#:  $\phi 90 \times H155$ mm crystal center pillar 1PCS
- 17#:  $L100 \times W100 \times H38$ mm octagonal copper square box 1PCS
- 18#:  $L100 \times W100 \times T2.0$ mm octagonal copper sheet 1PCS
- 19#:  $\phi 30 \times H6$ mm copper flying saucer 1PCS
- 20#:  $\phi 18 \times H9 \times M10$  copper semi-circular cap 1PCS
- 21#:  $\phi 10 \times L320$ mm copper tube 1PCS
- 22#:  $\phi 10 \times L195$ mm copper pipe 1PCS
- 23#:  $\phi 10 \times L170$ mm copper pipe 1PCS