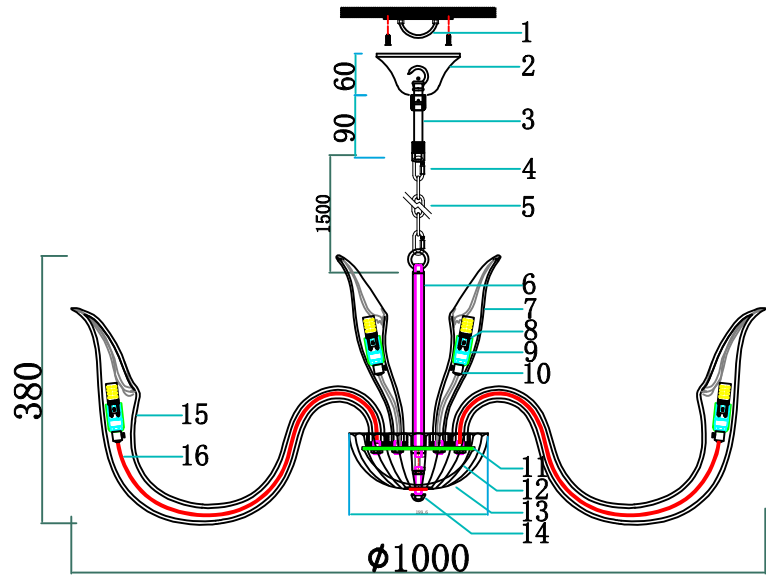
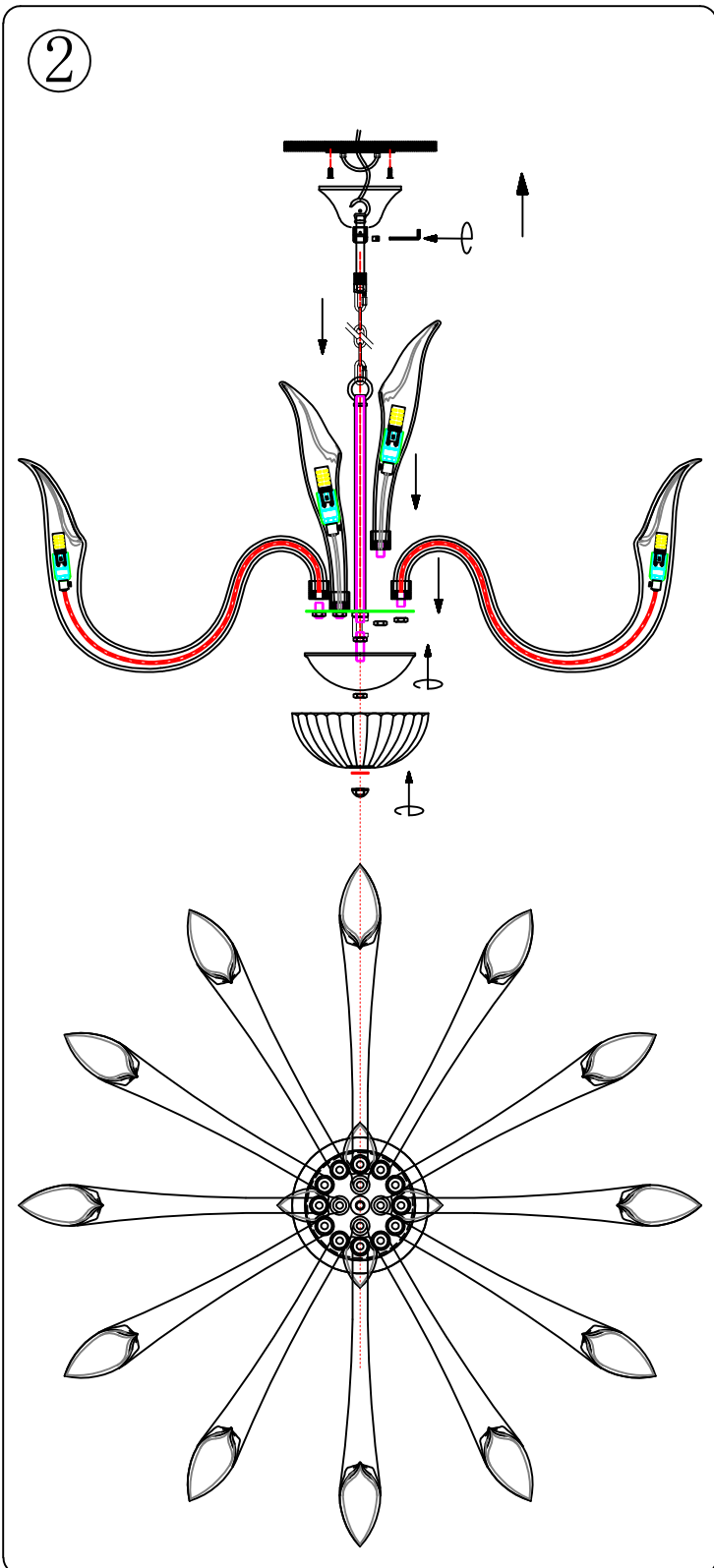
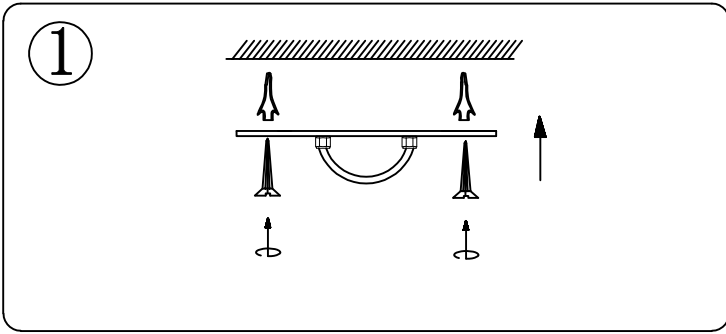


3654+12/C



- 1#: $\phi 90$ hanging board 1PCS
- 2#: $\phi 120 * H60$ bell stoppers 1PCS
- 3#: $\phi 11.5 * L100$ steeve 1PCS
- 4#: $\phi 3.8$ swivel snap 2PCS
- 5#: $\phi 3.8 * 1.5CM$ sling chain 1PCS
- 6#: $\phi 13 * 250$ drivepipe 1PCS
- 7#: $280 * 102mm$ glass tube 4PCS
- 8#: G9 ceramic lamp holder 16PCS
- 9#: $\phi 22 * 35$ lamp cup 16PCS
- 10#: $\phi 13 * H15$ locking wire 16PCS
- 11#: $\phi 160 * T2.0$ wafer 1PCS
- 12#: $\phi 162 * H55$ semicircle 1PCS
- 13#: $\phi 200 * H80$ glass cover 1PCS
- 14#: $\phi 18 * H9 * M10$ vehicle part 1PCS
- 15#: $453 * 312$ glass tube 12PCS
- 16#: transparent thread 16PCS