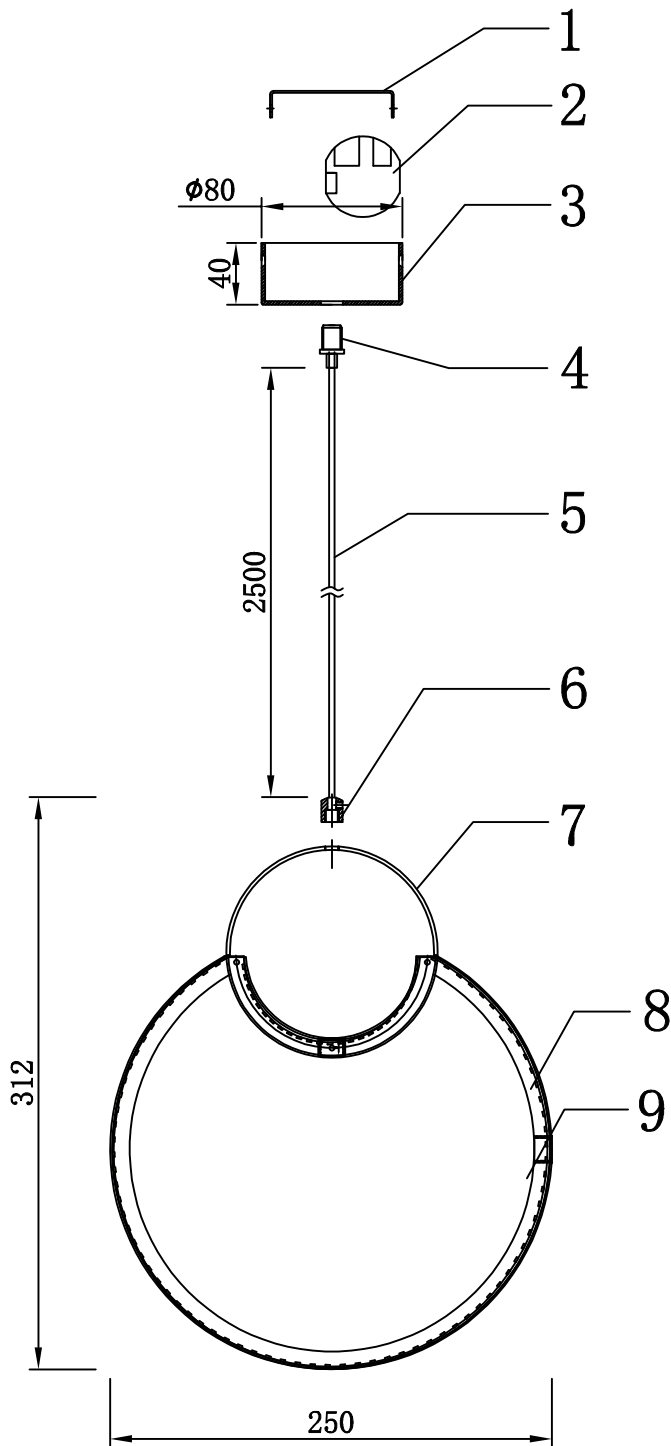
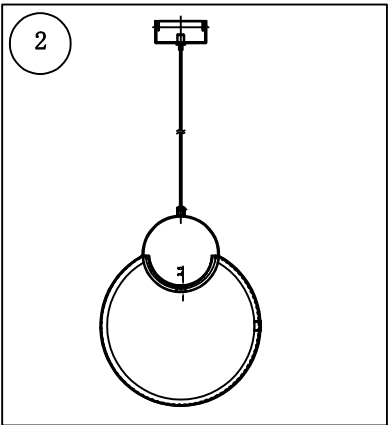
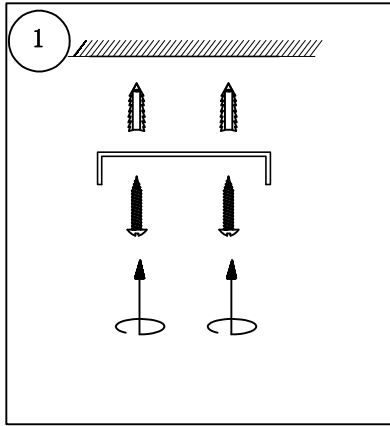


# 15106/S



- 1#: UI-shaped hanging board 1PCS
- 2#: Constant current drive 36V 10W 1PCS
- 3#:  $\phi 80 \times 40$  Ceiling Plate 1PCS
- 4#:  $\phi 14 \times H25$ mm steel wire lock 1PCS
- 5#: Two core transparent fishnet 2.5 meters 1PCS
- 6#:  $\phi 12 \times 14$  lock wire iron piece 1PCS
- 7#:  $297 \times 250$  welded iron lamp body 1PCS
- 8#: Constant voltage LED strip 0.82 meters 1PCS
- 9#: W15 silicone tape 0.8 meters 1PCS