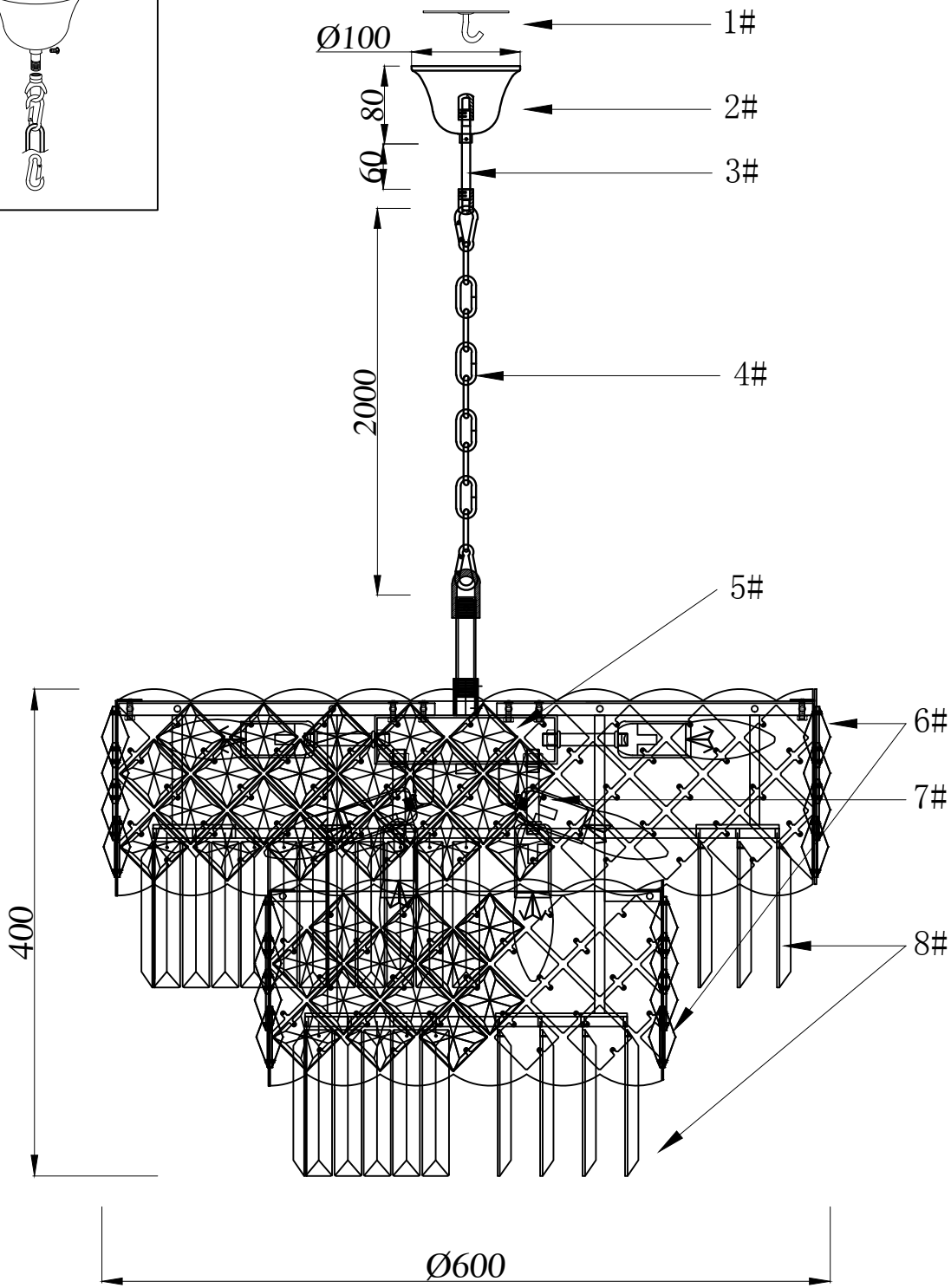
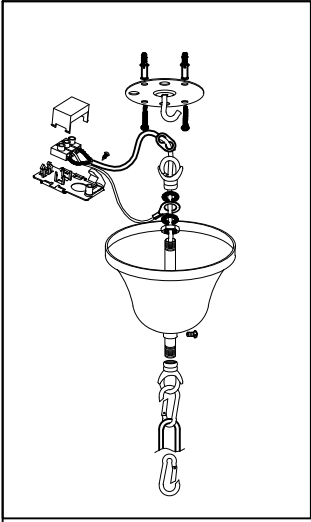


Model:8301/600 C

E14:16PCS



- | | |
|-------------------------|--------|
| 1# :Hanging Clock Board | 1PCS |
| 2# :Ceiling cup | 1PCS |
| 3# :Derrick | 1PCS |
| 4# :Chain 2M | 1PCS |
| 5# :Metal lamp body | 1PCS |
| 6# :Crystal | 188PCS |
| 7# :E14 Light source | 16PCS |
| 8# :Crystal | 249PCS |