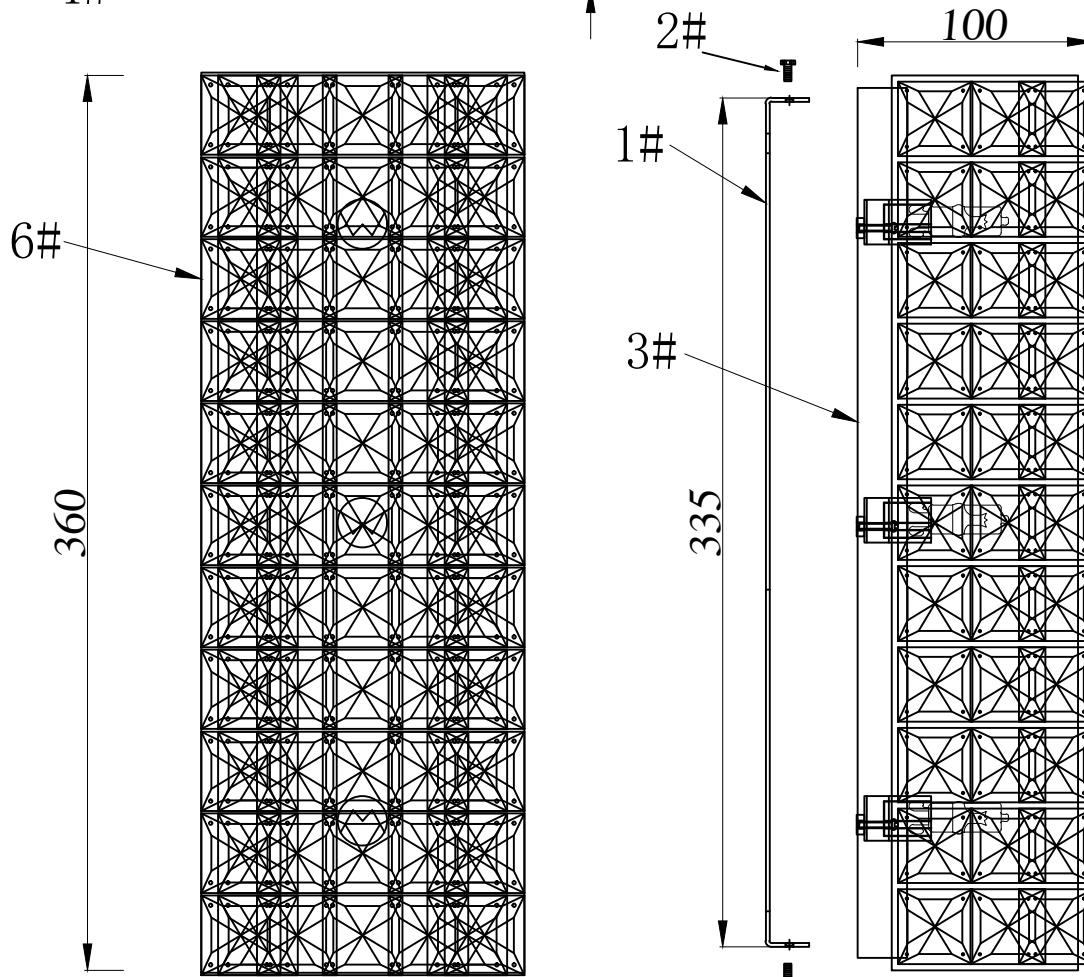
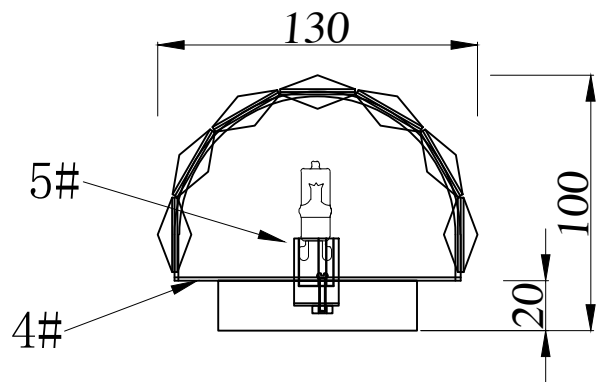
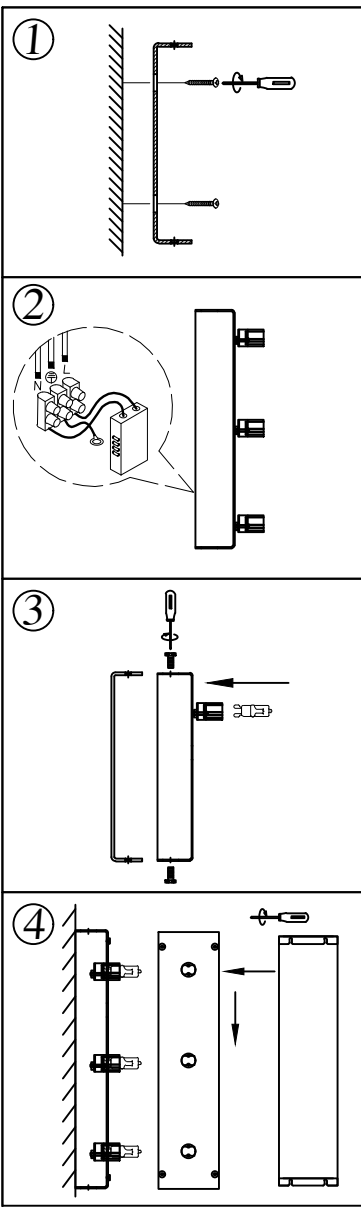


Model: 8513/A

G9: 3PCS



- | | | |
|----|-----------------------|------|
| 1# | :Hanging Board | 1PCS |
| 2# | :Hanging Plate screws | 2PCS |
| 3# | :Ceiling cup | 1PCS |
| 4# | :Stainless steel | 1PCS |
| 5# | :G9 lamp holder | 3PCS |
| 6# | :Crystal | 1PCS |