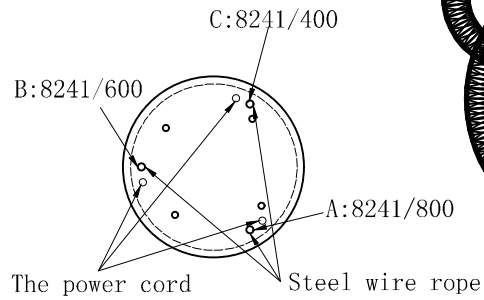
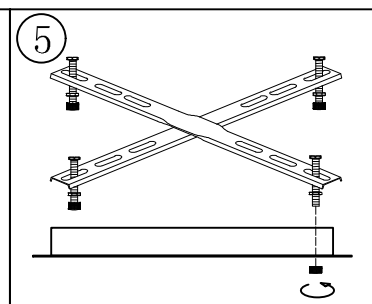
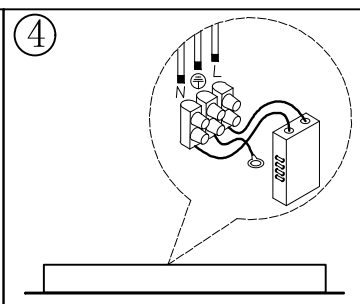
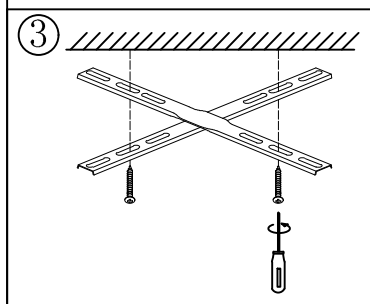
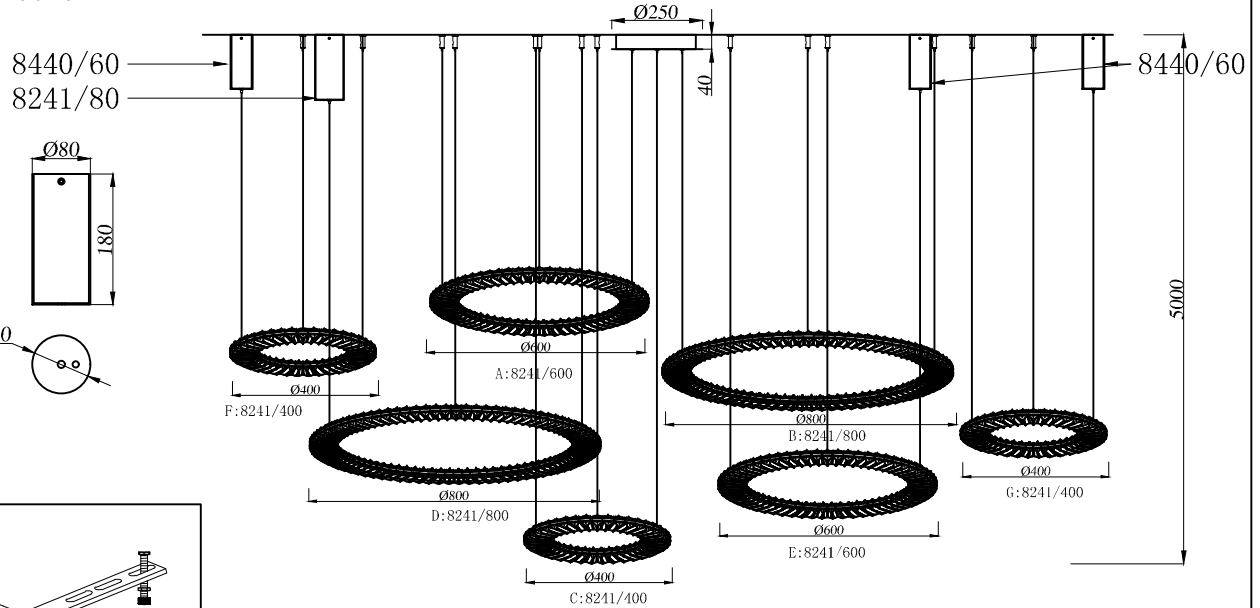


Install the wires from each ring to the corresponding holes in the suction tray from A to G (top to bottom) in the order shown in the drawing.



8240/250-3



Model:8241-7
 $\phi 80*2+\phi 60*2+\phi 40*3$